

| Worm Drive Performance Data | | |
|----------------------------------|------------|-------------------------------|
| Rated Output Speed(Intermittent) | 1.72 rpm ① | |
| Rated Output Torque | 2270 N.m | 1675.3 lbf.ft |
| Tilting Moment Torque (Max.) | 14.2 kN.m | 10.5 × 10 ³ lbf.ft |
| Holding Torque | 20 kN.m | 14.8 × 10 ³ lbf.ft |
| Axial Load (Max.) | 220 kN | 49.5 × 10 ³ lbf |
| Radial Load (Max.) | 90 kN | 20.2 × 10 ³ lbf |
| Ratio of Worm Gear | 47:1 | |
| Backlash | ≤ 0.15 ° | |
| Hydraulic Motor Performance Data | | |
| Pressure | 10 MPa | |
| Flow | 10 L/min | |

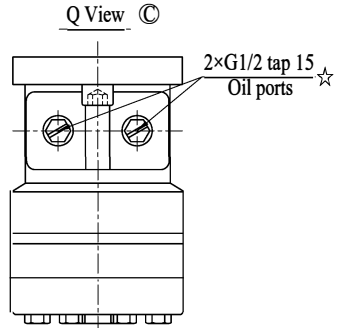
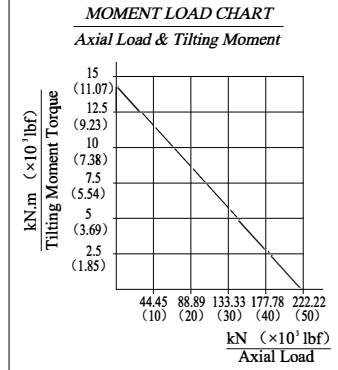
Hydraulic Motor Performance Data ①

BMR100 [100.8cm³/rev.]

| Flow(L/min) | Pressure (MPa) | | | | | | | | |
|-------------|----------------|----|-----|-----|-----|-----|-----|------|-----|
| | 5 | 7 | 9 | 10 | 12 | 14 | 16 | 17.5 | 20 |
| 5 | 66 | 92 | 120 | 135 | 156 | | | | |
| 10 | 68 | 96 | 125 | 138 | 159 | 188 | 212 | | |
| 20 | 65 | 94 | 123 | 137 | 155 | 186 | 210 | 238 | 274 |
| 30 | 63 | 92 | 120 | 133 | 153 | 185 | 209 | 235 | 270 |
| 40 | 57 | 88 | 117 | 130 | 152 | 185 | 208 | 233 | 267 |
| 50 | 48 | 79 | 110 | 123 | 150 | 183 | 204 | 228 | 260 |
| 60 | 38 | 70 | 105 | 120 | 144 | 178 | 200 | 220 | 252 |
| 70 | 23 | 59 | 93 | 111 | 136 | 170 | 192 | 210 | 240 |
| 75 | 23 | 59 | 93 | 111 | 136 | 170 | 192 | 210 | 240 |

continue (max.) 60
intermittent (max.) 75

Torque (N.m) 270
Speed (rpm) 207



| D | 03/30/2017 | Garen | Made some changes and marked with ①, 3 places in total. | |
|--|------------|------------|---|------------------|
| C | 12/28/2015 | Garen | Made a change and marked with ②. | |
| B | 12/10/2015 | Garen | Made a change and marked with ③. | |
| REV | DATE | REVISOR | DESCRIPTION | |
| DESIGNED BY | Jyden | 04/22/2015 | Eurograb | |
| CHECKED BY | Roddick | 04/22/2015 | | |
| APPROVED BY | Andy | 04/22/2015 | | |
| ALL PROPRIETARY RIGHTS IN THE SUBJECT MATTER HERE OF ARE RESERVED, AND NO PERMISSION IS GRANTED OR TO DISCLOSE REPRODUCE THIS PRINT IN WHOLE OR IN PART, ANY OF THE INFORMATION TO OTHERS. | | | WEIGHT SCALE | Title |
| | | | 1:3 | WORM DRIVE |
| | | | SIZE | Model No. |
| | | | A3 | WEA7 |
| SYMBOLS ISO | | | SHEET | Part No. |
| | | | 1 / 1 | 47-HR-100-I-2224 |
| | | | | Rev |
| | | | | D |